

EASIER TRUNNION REMOVAL

HERE'S A
HANDY HOME-MADE
TOOL TO USE WITH THE
WORK AID SHOWN IN FIG 5-38
OF TM 55-1520-210-23-1
TO REMOVE TRUNNION
ASSEMBLIES FROM THE
SWASHPLATE!

Eye bolt

Washer

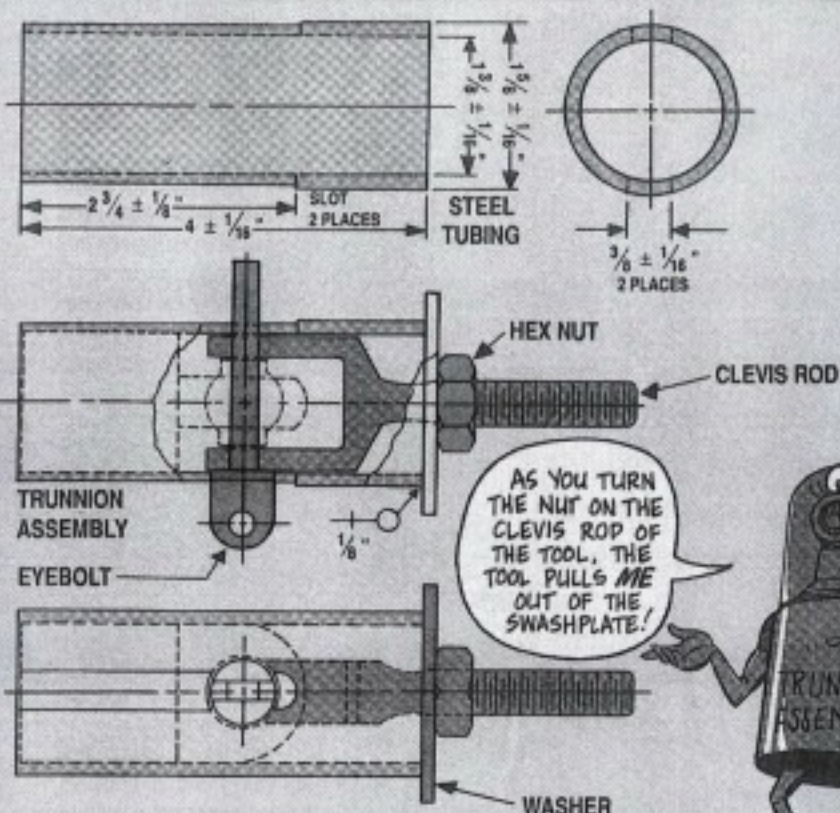
Hex nut

1 3/8-in ID
steel tubing

Clevis rod end

GET YOUR
MACHINE SHOP
TO MAKE IT
FROM THESE
MATERIALS...

Eye bolt	NSN 5306-00-271-4742
Hex nut	NSN 5310-00-582-8173
Clevis rod end	NSN 5340-00-989-2983
Washer	NSN 5310-00-167-0771
1 3/8-in ID steel tubing	



AVIATION MESSAGES

CAT 1 EIR Prio4:
AUTOVON 603-2068
(24 HOURS)

If your unit has not received a message you have an interest in, check with your next higher headquarters.

AH-44-87-26, SCF, Technical, Inspection for defective T700-G2-700/701 engine power turbine modules, 030100Z Dec 87.

UH-60-87-12, SCF, Technical, Inspection for defective T700-G2-700/701 engine power turbine modules, 030100Z Dec 87.

CH-47-87-14, SCF, Technical, CH-47D inspection of flight control and utility hydraulic pump housing, retaining screws, 031830Z Dec 87.

AH-1-87-10, SCF, Maintenance mandatory, Tail rotor yoke, 161900Z Dec 87.

AH-64-87-26, SCF, Maintenance mandatory, Multiple safety inspections, 172100Z Dec 87.