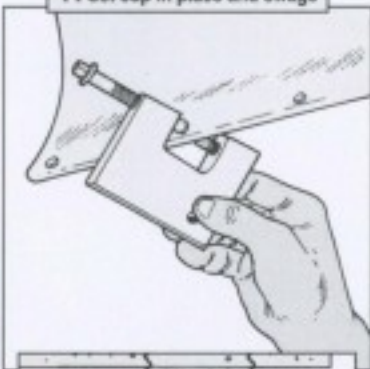


1: Set cup in place and swage



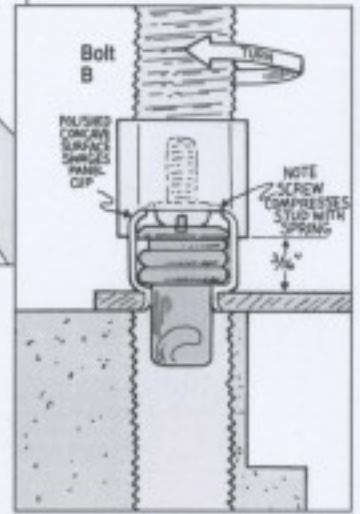
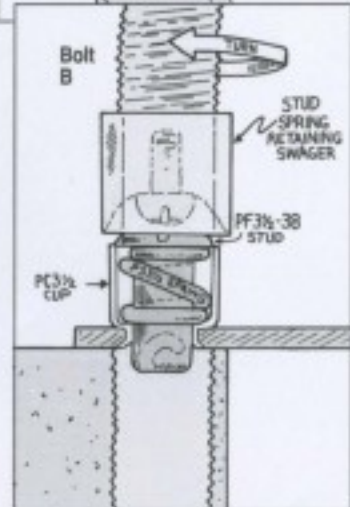
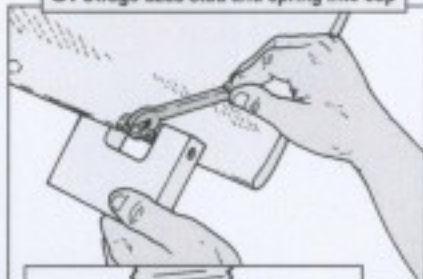
Cup installed



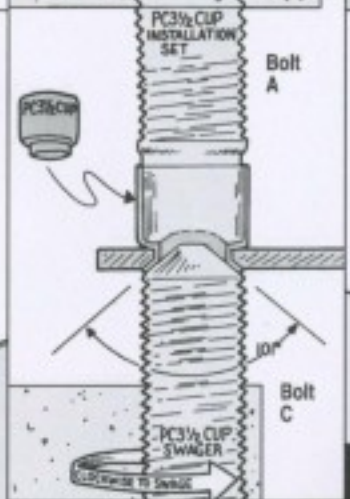
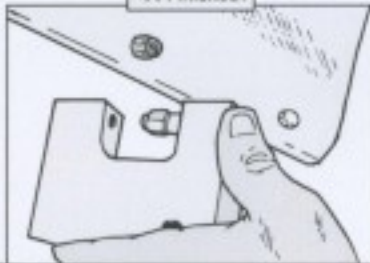
2: Disengage tool, remove bolt C and change bolt A to bolt B



3: Swage dzus stud and spring into cup



4: Finished!



THIS LI'L GEM WILL PREVENT MASHED HANDS AND SMASHED COMPONENTS.

HEY—HERE'S A TOOL THAT MAKES THE JOB EASY.

NOW HE TELLS ME!