

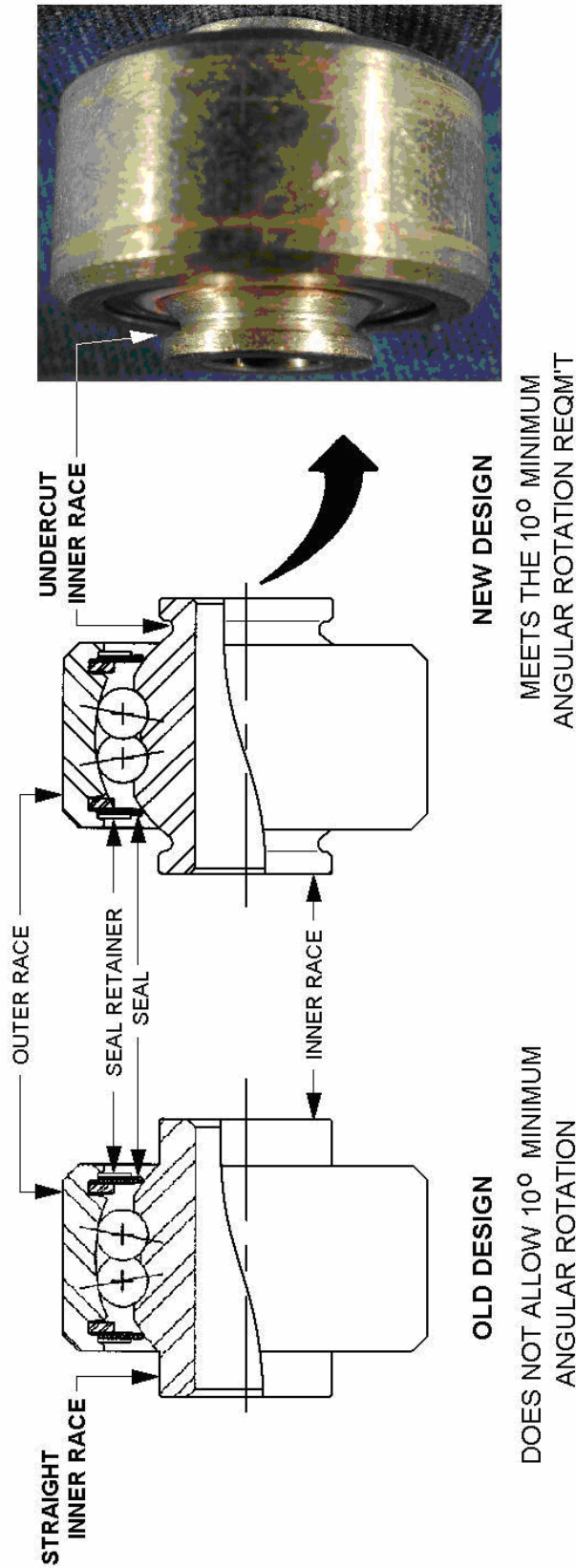
Figure 1 of 4



**BEARING MS27643-4**

**FIGURE 1**

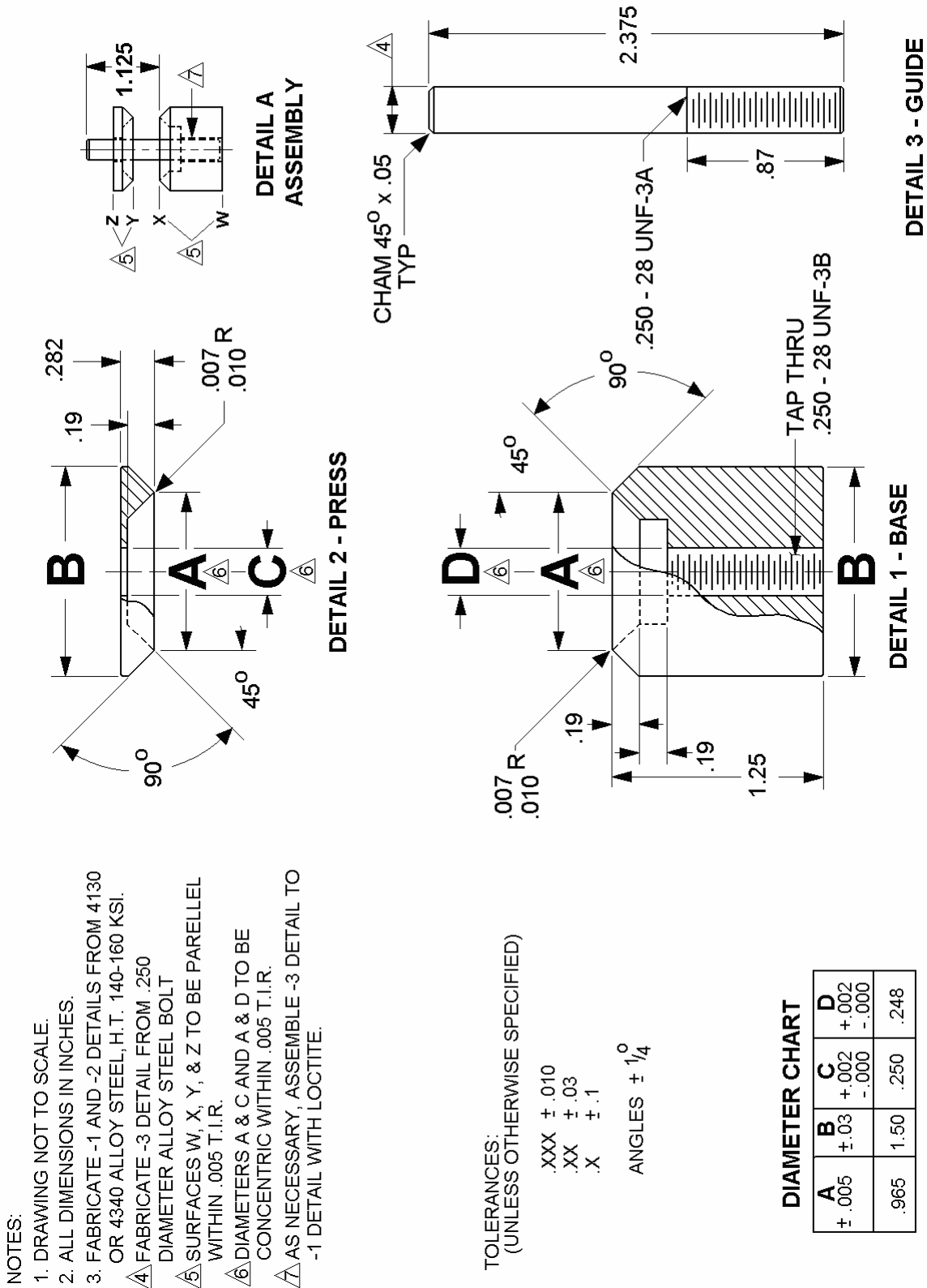
Figure 2 of 4



SCHATZ MS27643 BEARING OLD DESIGN - NEW DESIGN IDENTIFICATION

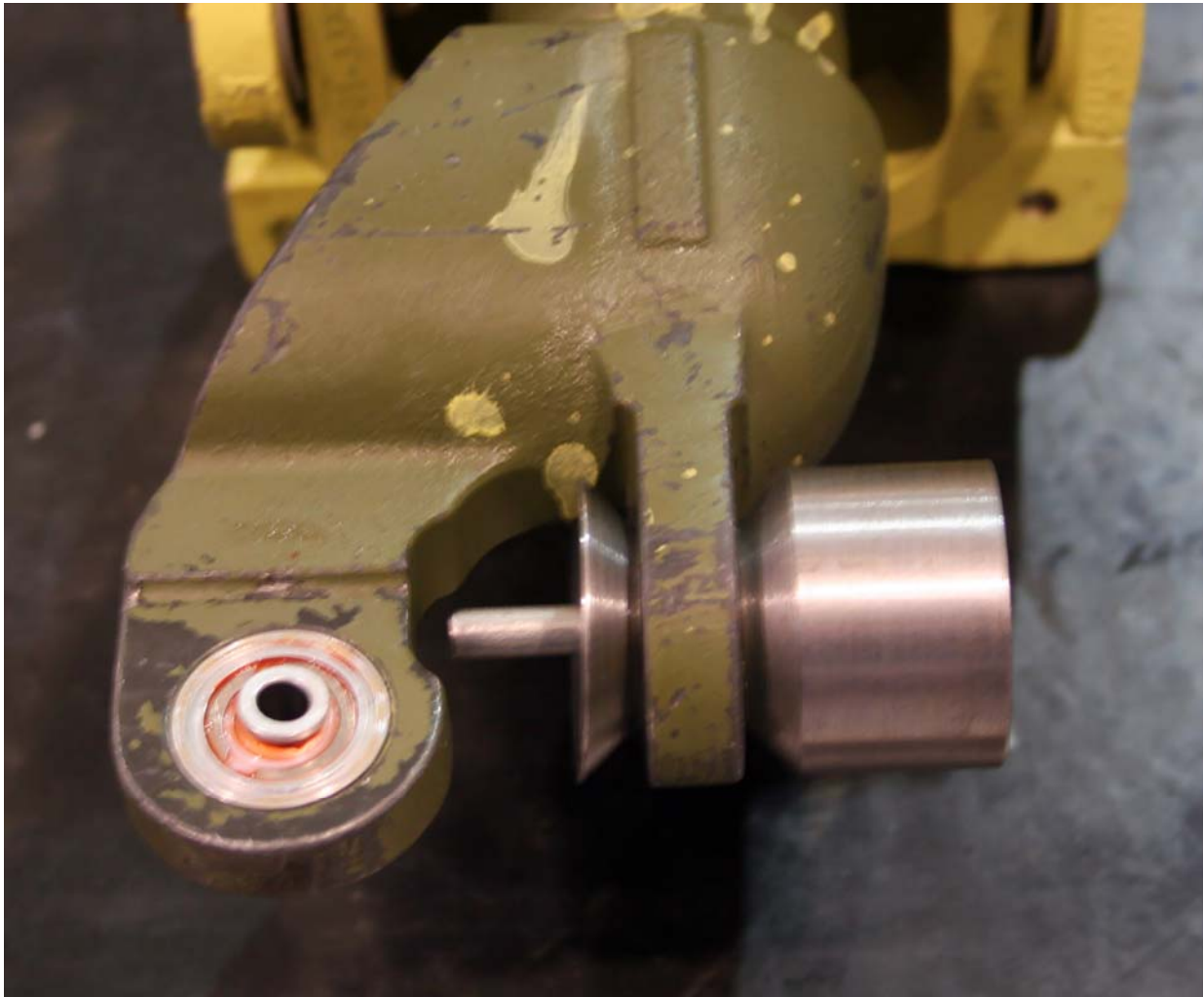
FIGURE 2

Figure 3 of 4



RING STAKE WORK-AID  
FIGURE 5

Figure 4 of 4



RING STAKE WORK-AID SHOWN INSTALLED ON  
LATERAL INPUT LUG OF THE P/N 204-001-357  
SUPPORT ASSEMBLY

ENSURE ALL LUGS ARE ADEQUATELY SUPPORTED  
DURING ALL PRESSING, REAMING, AND STAKING  
OPERATIONS.

**LEVER ASSEMBLY 204-001-357  
FIGURE 6**