

BELL 212

HUB ASSEMBLY KIT

P/N	OE P/N	Description	Qty Per
ASI-4011-151-1	204-011-151-001	M/R Bolt	2
ASI-4011-144-003	204-011-144-003	Nut	1
TAI-4011-143-005	204-011-143-005	Drag Brace Assy Barrel	1
ASI-4011-144-001	204-011-144-001	Nut	1
TAI-4011-166-009	204-011-166-009	Drag Brace Bolt	2
ASI-4012-103-005	204-012-103-005	Outboard Retention Strap Fitting	2
ASI-4012-106-001	204-012-106-001	M/R Nut	2
ASI-4011-120-5	204-011-120-005	Pitch Horn	2
ASI-4011-121-9	204-011-121-009	M/R Grip	2
ASI-4011-153-001	204-011-153-001	Blade Main Rotor Nut	2
ASI-4011-116-1	204-011-116-001	M/R Retention Strap Nut	2

SAVE \$11,137.28

Quantities are limited!

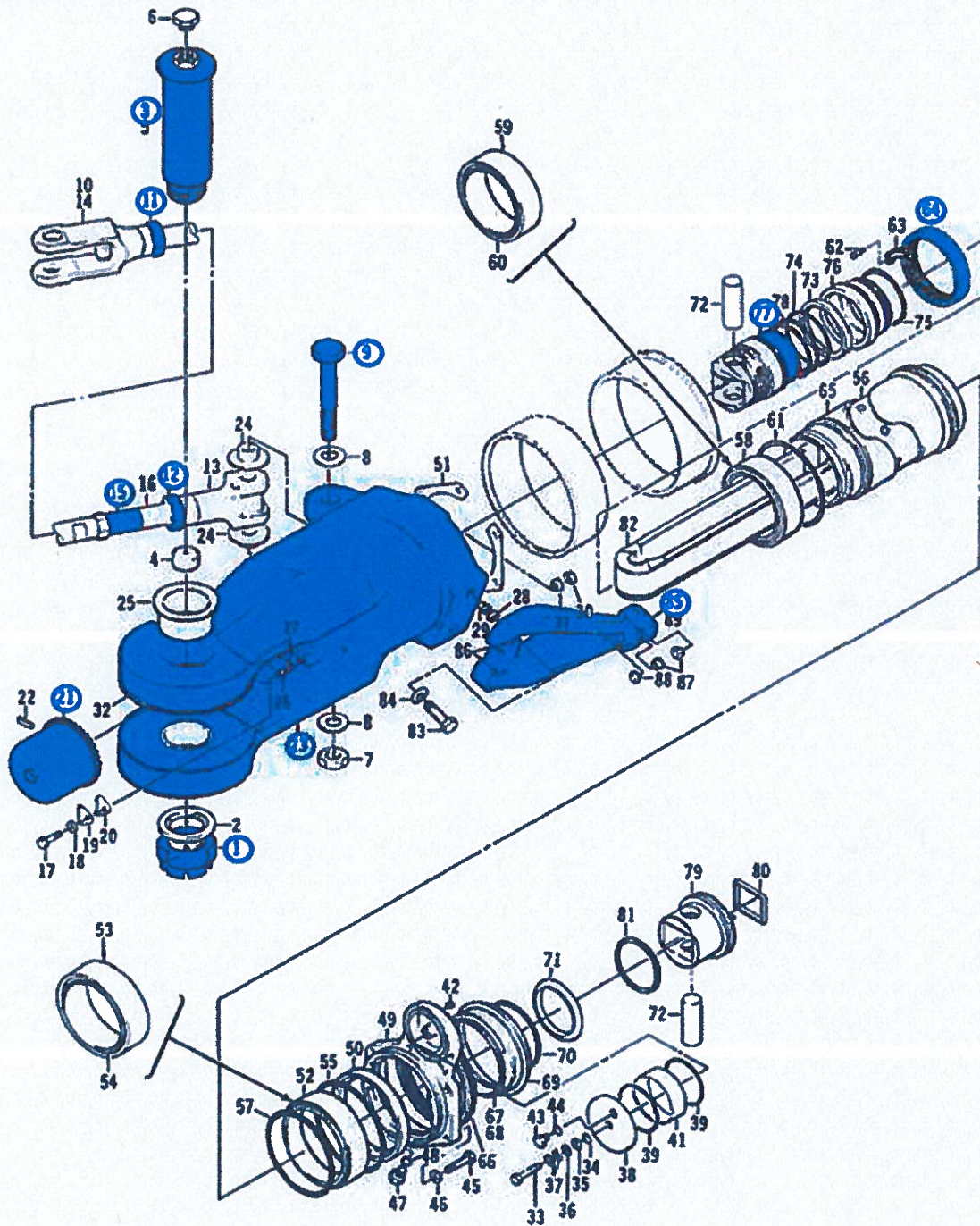
EXTEX Engineered Products

340 E Germann Road, Suite 113
Gilbert, AZ 85297

Please contact Customer Support:

Marie.mcnally@kaman.com

480-606-3130



Part #:

- | | |
|--------------------|--------------------|
| ① ASI-4011-153-001 | ⑮ TAI-4011-143-005 |
| ③ ASI-4011-151-1 | ⑰ ASI-4011-116-1 |
| ⑨ TAI-4011-166-009 | ⑲ ASI-4011-121-9 |
| ⑪ ASI-4011-144-003 | ⑳ ASI-4012-106-001 |
| ⑫ TAI-4011-144-001 | ㉑ ASI-4012-103-005 |
| ASI-4011-144-001 | ㉓ ASI-4011-120-5 |

For information on pricing and availability,
contact EXTEX at 480-632-1039.

www.extexengineered.com