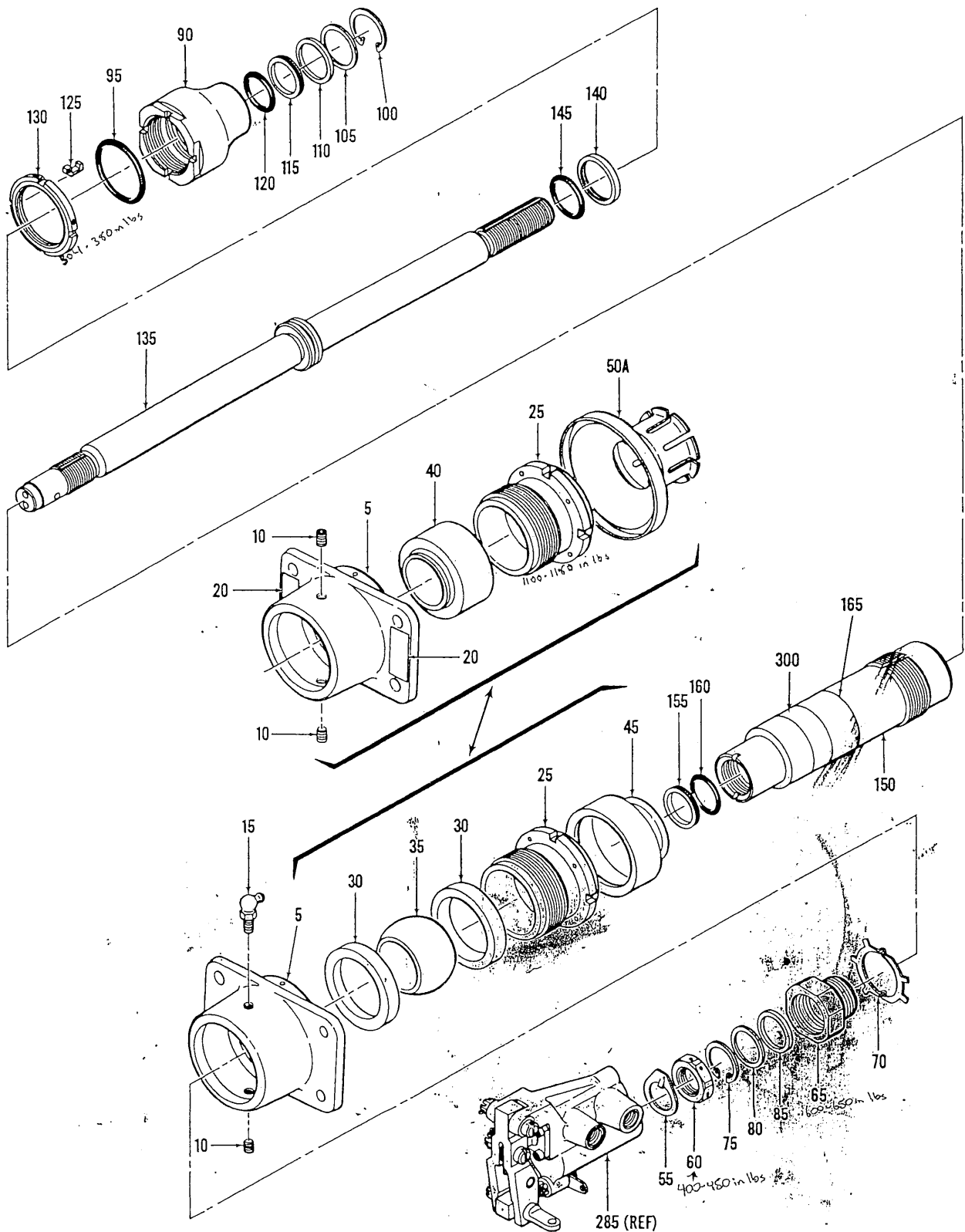


Flight Control Cylinder Assembly – Exploded View (Sheet 2 of 2)
IPL Figure 1



Flight Control Cylinder Assembly – Exploded View (Sheet 1 of 2)
IPL Figure 1

REVISION
COMPONENT MAINTENANCE MANUAL
41000870

Fig. & Index No.	Part Number	Description	Units							Usable on Code
			1	2	3	4	5	6	7	
9-1	41000870	CYLINDER ASSEMBLY (97499), Flight Control Servo (BHT Part No. 204-076-052-004)							REF	A
	205-076-099-009	CYLINDER ASSEMBLY, Flight..... Control (97499)							REF	B
5	204-076-201-005	HOUSING (97499)							1	
10	1604-129y	PLUG (65301)							1	A
10A	1604-129	PLUG (65301) (alternate for item 10)							1	A
10B	NAS1081-4A4	PLUG (65301) (Alternate for item 10, 10A).....							2	A
10C	1604-129y	PLUG (65301)							2	B
10D	1609-129	PLUG (65301) (alternate for item 10C).....							2	B
10E	NAS1081-4A4	PLUG (65301) (alternate for item 10C, 10D)...							2	B
10F	120-151-4-4	SET SCREW (Replaces items 10, 10A, 10B, 10C, 10D, and 10E)								
15	MS15001-4	FITTING							1	A
20	205-076-386-001	DECAL (97499)							2	B
25	204-076-202-007	NUT (97499).....							1	
30	204-076-162-001	BUSHING SET (97499).....							1	A
35	204-076-168-001	BEARING, Inner Race (97499).....							1	A
40	KSP6099-1	BEARING ASSY (97499).....							1	B
45	204-076-171-001	BOOT (97499).....							1	A
- 50	KSP9046-1	SHIELD ASSY (97499)							1	B
		(Superseded by item 50)								
	41000870	CYLINDER ASSY, Hydraulic							1	
		Flight Control Servo (BHT Part No. 204-076-052-009)								
50A	KSP9046-5	SHIELD ASSY (97499) (supersedes item 50)							1	B
55	100641-1	WASHER, Lock							1	
60	100624	NUT, Lock							1	
65	100621-1	RETAINER							1	
70	41001386	WASHER, Tab							1	
75	NAS669-131	RING, Retainer							1	
80	100631	RETAINER							1	
85	S11065-9T	SCRAPER (97820).....							1	
90	100678-1	CAP, Cylinder							1	
95	MS28775-224	PACKING, Preformed							1	
100	NAS669-131	RING, Retainer							1	
105	100631	RETAINER							1	
110	S11065-9T	SCRAPER							1	
115	S12562-214	SEAL, Channel (97820).....							1	
120	MS28775-214	PACKING, Preformed							1	
125	105883	KEY, Lock.....							1	
130	41000607	NUT, Cylinder Lock.....							1	
135	100615	PISTON ROD ASSY							1	
140	105886	SEAL, Cap (97820).....							1	
145	100647	SEAL, Ring							1	
150	100679	CYLINDER							1	

COMPUTER MAINTENANCE MANUAL
41000870

Fig. & Index No.	Part Number	Description							Units Per Assy	Usable on Code
		1	2	3	4	5	6	7		
9-1										
155	S12562-214	. .								1
160	MS28775-214	. .								1
165	41000268	. .								1
170	AN381-2-8	. .								3
175	MS17825-4	. .								3
-180	AN960C416	. .								2
180A	NAS1149C0416R	. .								2
185	41000262	. .								1
190	41000337	. .								1
195	AN43B13	. .								1
200	41000265	. .								1
205	41000284-002	. .								2
210	41000259-002	. .								2
215	100633-2	. .								2
220	AN316-5	. .								2
225	100337	. .								2
230	100640	. .								1
235	100348	. .								1
240	100592	. .								1
245	NAS1351C3H6	. .								4
250	41000263	. .								1
255	NASM16555-626	. .								1
255A	41011933-626	. .								1
-260	41000248	. .								1
265	105829	. .								1
270	41000247	. .								1
275	41100354	. .								2
280	MS28775-017	. .								6
285	41000286	. .								1
290	41000284-002	. .								2
295	MS28775-211	. .								2
300	48088996-001	. .								1
* 300A	48088996-002*	. .								1

new mod.