



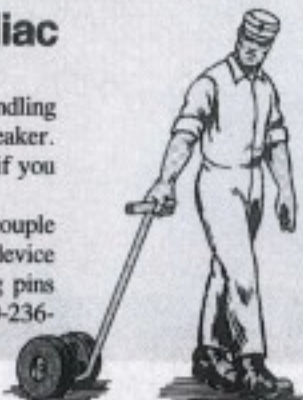
UH-1, AH-1...

## Save Your Sacroiliac

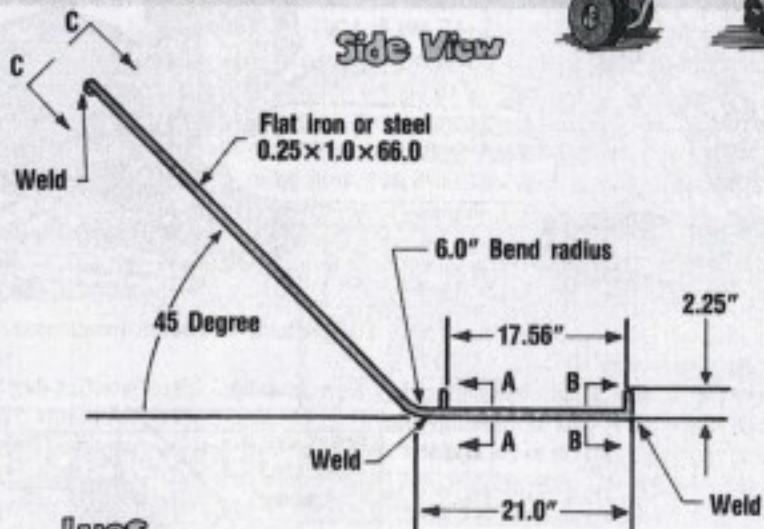
Bending over to push your Huey and Cobra ground handling wheels from Point A to Point B can be a real back-breaker.

But there's no need to strain your back or bust a gut if you can help it. And you can.

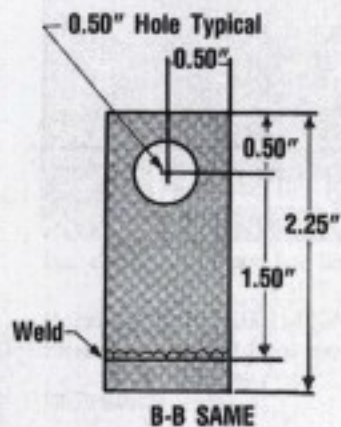
Get your sheet metal shop or support to make you a couple of handy-dandy work aids for towing those wheels. The device is just a small tow bar with lugs to fit on the mounting pins of your ground handling gear. Fig 1-7 of TM 55-1520-236-23-1 tells how to make it:



Side View



Lugs



To use the device, just attach the lugs to the mounting pins of the ground handling gear. With a snug fit, you can push or pull two pair of wheels without stooping and bending.

35

Handle

